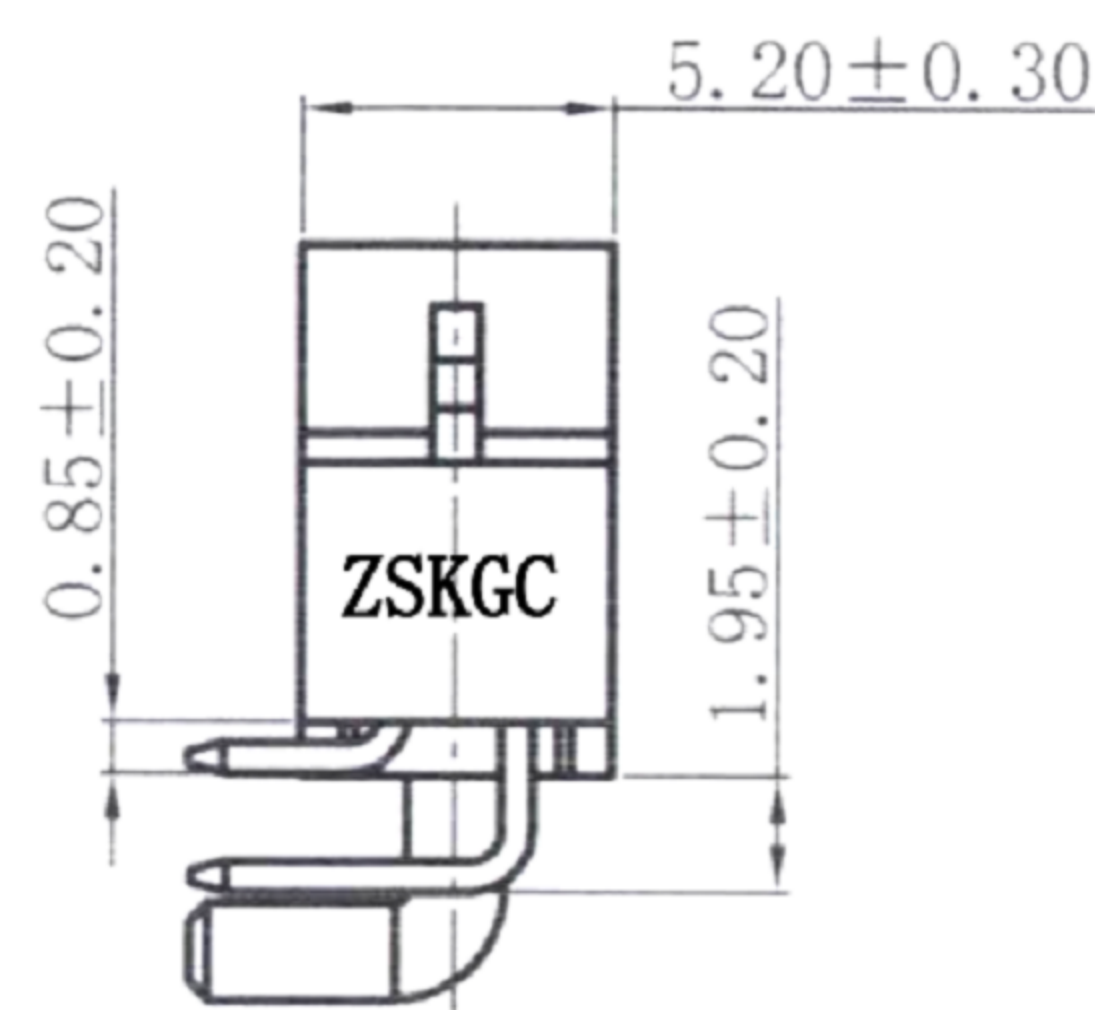
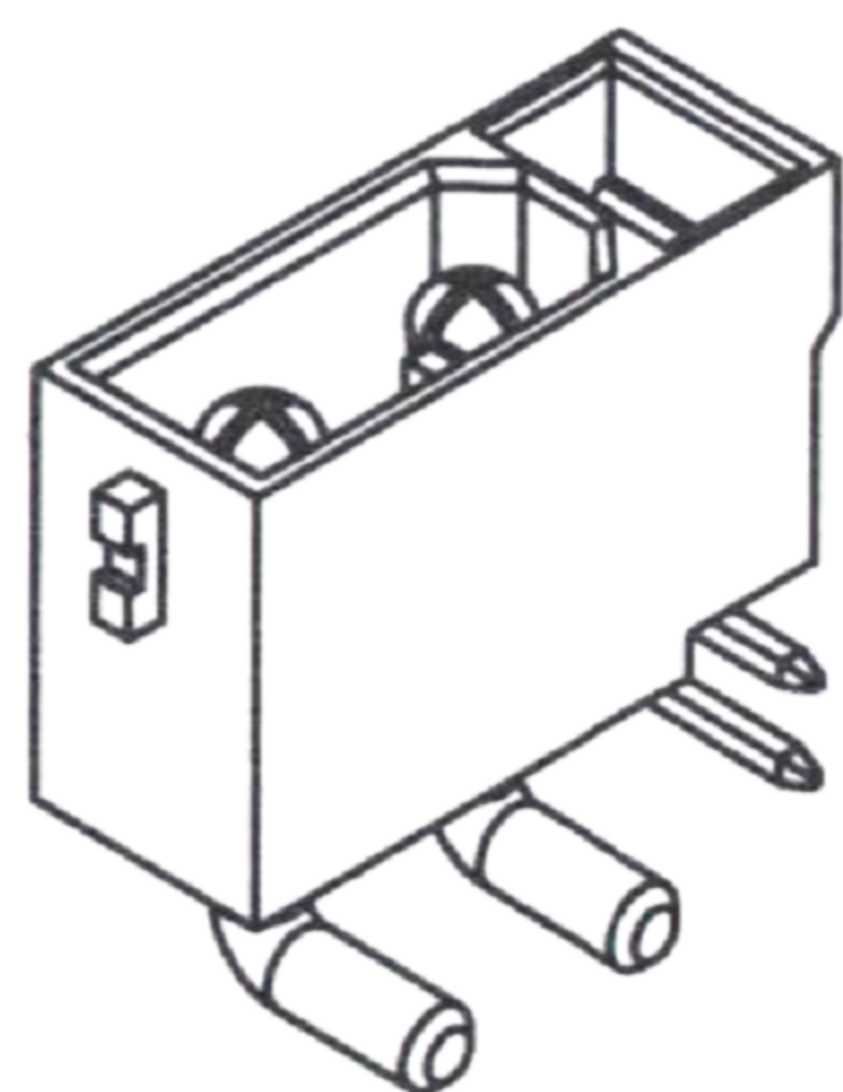
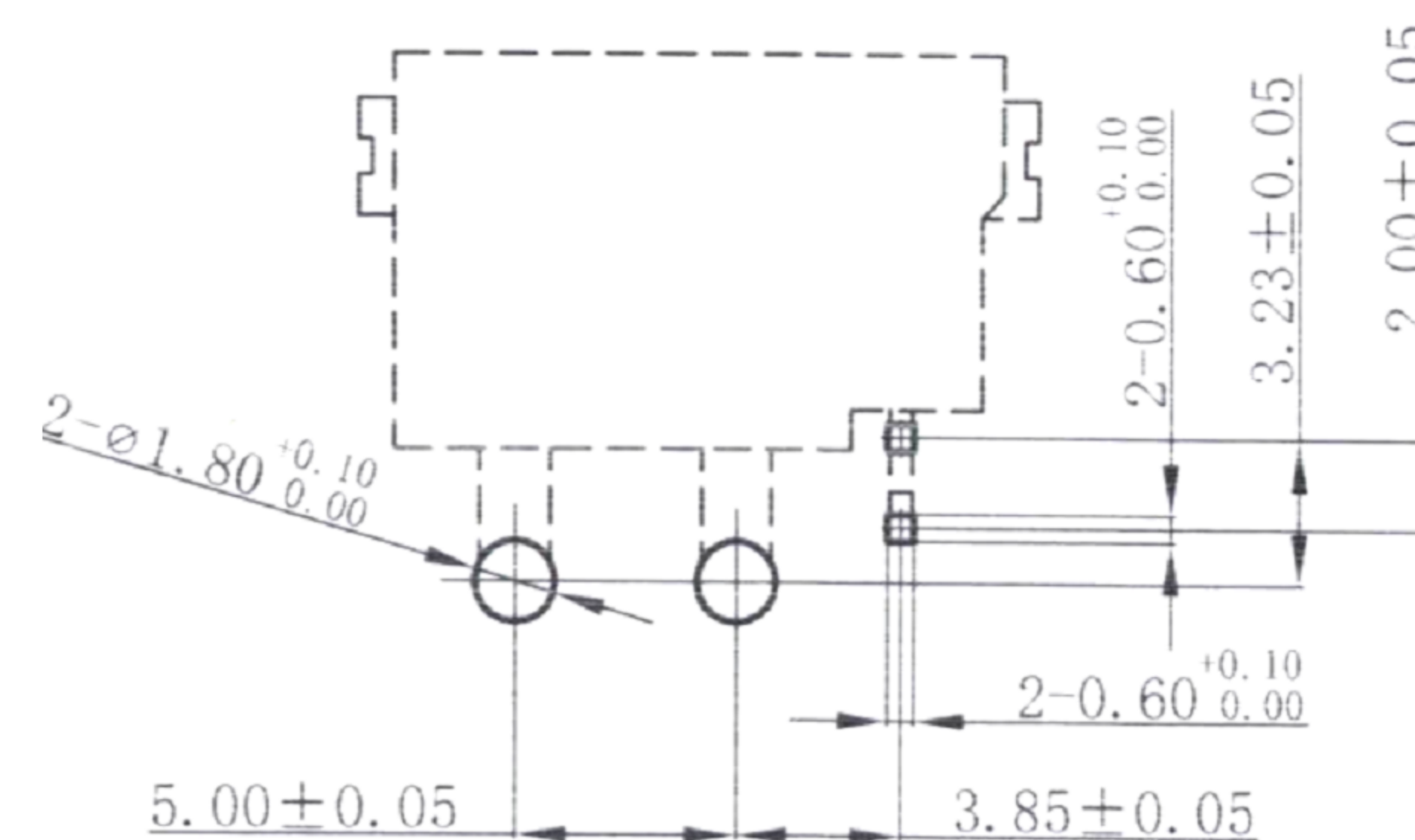


PCB LAYOUT



技术要求:

1. 表面光洁, 无加工污物及毛刺;
2. 字迹、logo清晰, 有穴位号;
3. 关键尺寸“▲”, 重要尺寸“■”, 参考尺寸“( - )”;
4. 未注尺寸公差按GB / T14486-2008 MT5;
5. 耐焊性及可焊性符合GB/T5095.6要求;
6. 插拔力1.2kg-3.5kg;
7. 表面镀金, 主铜件耐盐雾试验48h, 信号针耐盐雾试验24h, 5%NaCl溶液。



东莞市高迪电子有限公司  
DONG GUAN GAO DI ELECTRONICS CO., LTD

TOLERANCE UNLESS OTHERWISE STATED:  
Up to 5 ±0.2  
Above 5 ~ 15 ±0.3  
Above 15 ~ 30 ±0.4  
Above 30 ~ 50 ±0.5  
Angle ±0.3°

3RD. ANGEL'S

UNITS MM

DRAWN BY: DATE  
Ming Ming Zou 07/23/13

CHECKED BY: DATE  
Ning Ning Su 07/23/13

APPROVED BY: DATE  
Jia Xiang 07/23/13

MAT'L	TITLE	ENCODER
FINISH	MODLE	ENCODER
SCALE 1:1	DWG NO.	GD-TX-30LW-G
SHEET NO. 1 of 1	PART NO.	

2	公差及料號更新	Jack	072313
1	圖面更新	Frank Wu	021012
ITEM NO.	DESCRIPTION	DRAWN	DATE

SIZE A4  
VER R2